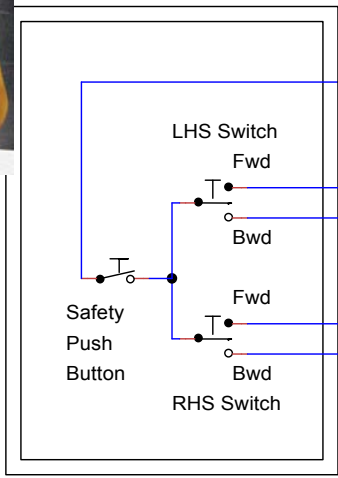


Title		Caravan Mover Overview	
Author		DactylTech	
File	[REDACTED]		Document
Revision	1.0	Date	Sheets 1 of 1



ewiks
Handheld Control

ewiks
Connector Cable

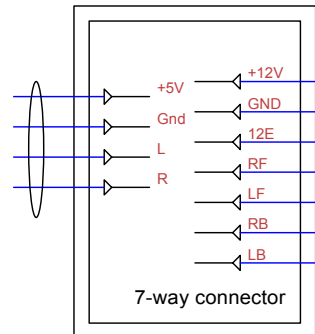
- White & Red Common (+12E)
- Blue (LF)
- Yellow (LB)
- Black (RF)
- Green (RB)

Colours indicated are subject to change by Ewiks. Confirmation advisable.



Connector strip on Remote Control unit.

Cable to optional CurrentGuard unit. Connector is 4-pin XLR.

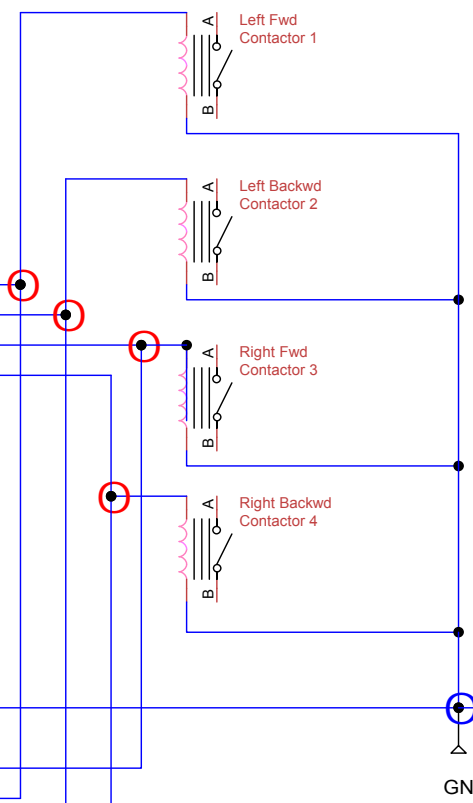


Remote Control Unit

- Black --->
 - Blue --->
 - Green --->
 - Yellow --->
- Connect to colour indicated

Connections into the existing ewiks wiring when no connector block exists are ringed in RED. No wires should be cut. Piggy-back connections onto relay's spade lugs are often the easiest option

Connector strip for incoming cable from hand held switch panel. Easiest to connect Remote Control here.



Main battery negative terminal (or vehicle chassis).

ewiks 7.5A Fuse

Labelled '12V'

Labelled '12E'

Labelled 'Main Batt+'

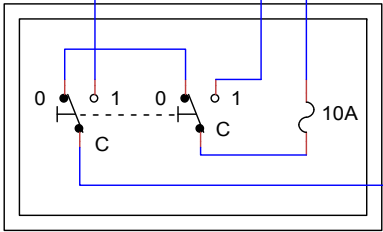
Labelled 'Sec Batt+'

+12V

Make this connection if only one battery is used.

Caravan's main battery and/or ewiks motor power source.

Optional secondary battery (7Ah gel cell). Charged when remote control is not in use.



Switch Panel Supplied
Option: Centre-off switch

Title Remote Control to ewiks Installation	
Author DactylTech .co.za	
File [REDACTED].CM-ewiks-connections.dsn	Document
Revision 1.1 1.0	Sheets 1 of 1
Date 2019-01-09	

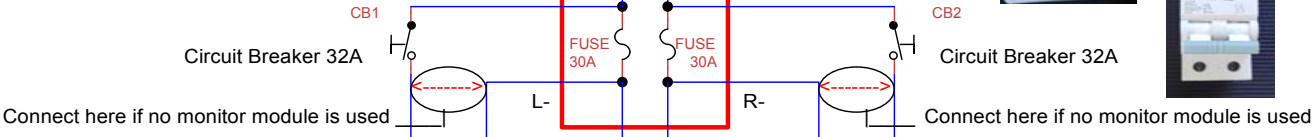
Special block to hold 4 x 6,3mm spade crimp lugs into blade fuse sockets using existing M4 thumb screw



Reversion to the old system is simply a matter of unplugging the spade lugs from the fuse sockets and putting the fuses back in

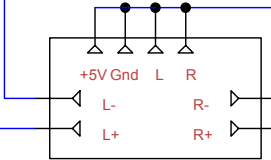


+ 12V Main Battery (12E on Remote Control) existing

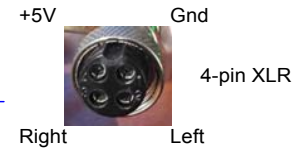


In these notations '+' means more positive or closer to the +12V power source than '-'. Current sensors are polarity-sensitive and must be connected correctly

Special plug block brings 4 wires out from fuse sockets to external CBs and optional CurrentGuard module



CurrentGuard Module (Optional addition to Remote Control)



Cable to Remote Control Unit

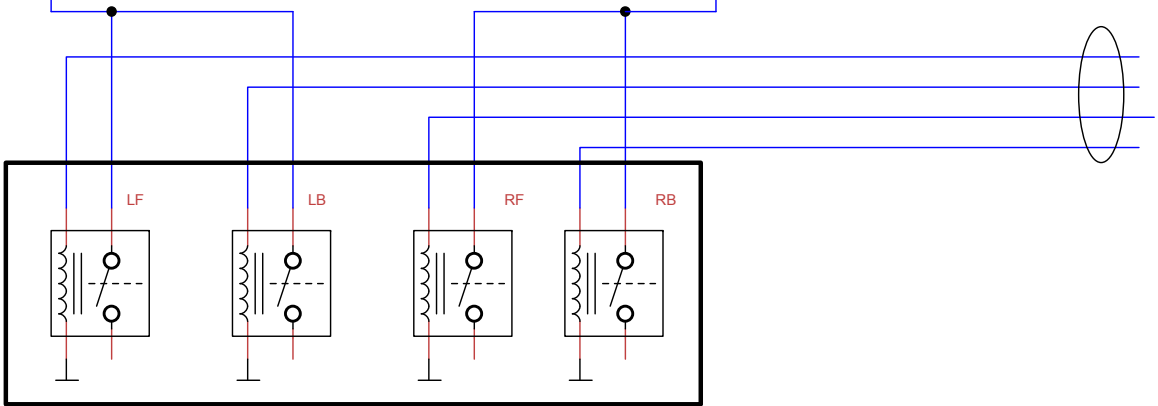
Procedure for Installation:
 1 Remove the fuses.
 2. Insert into the blade fuse sockets: spade lugs with wiring to either the Circuit Breakers only, or to CBs and in-line current monitoring devices.

Everything below here is part of the existing ewiks wiring and is not modified in any way.



CurrentGuard Module

These 4 wires are pre-existing and lead to the hand-held switch-control panel and optionally the Remote Control Unit



Existing ewiks Motor Relays

Title		Current Guard Connections	
Author		DactylTech.co.za	
File	cm-currentguard.dsn		Document
Revision	Date	Sheets	
1.0		1 of 1	