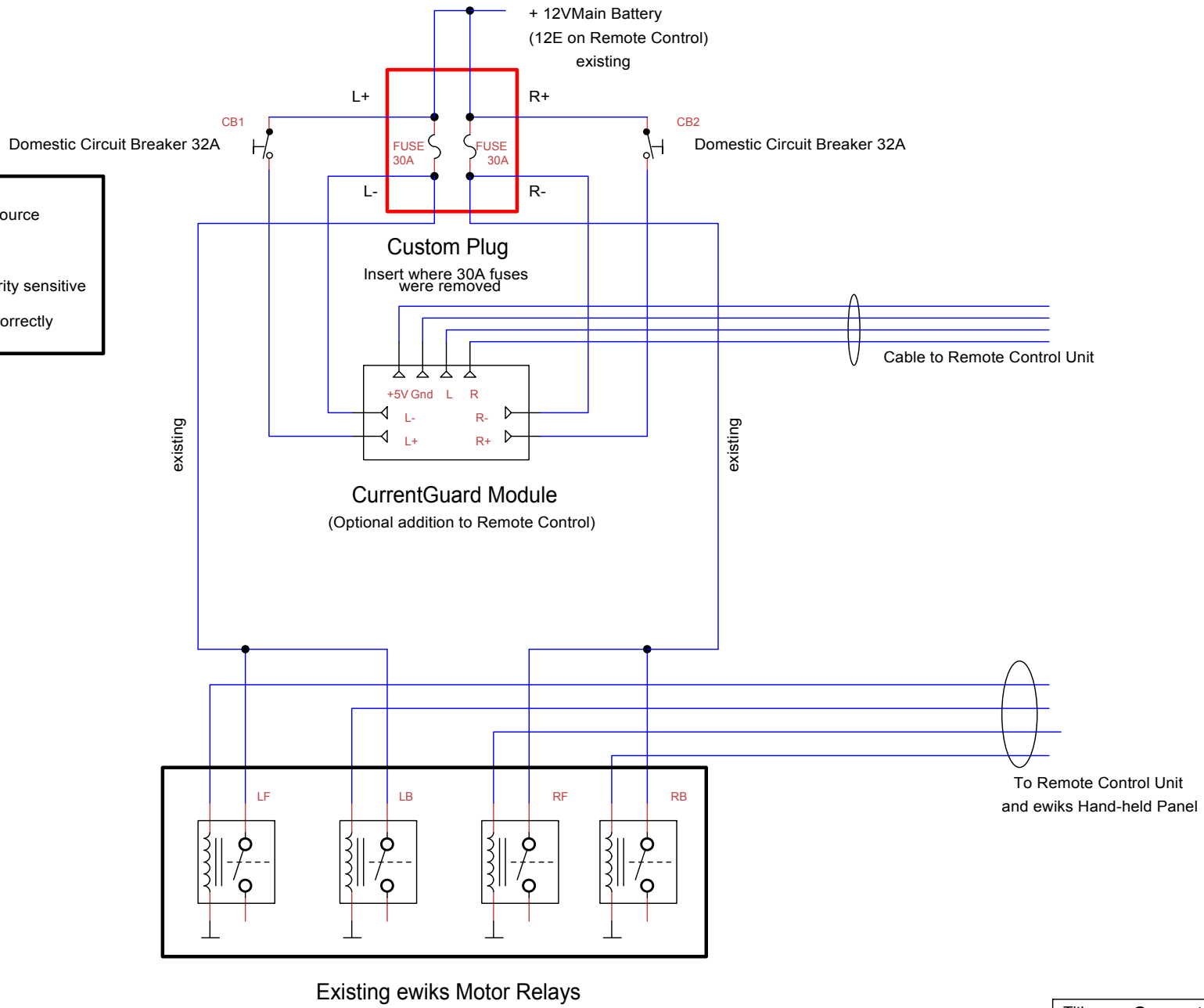


'+' Means closer to 12V source  
 '-' Means closer to Gnd  
 Current sensors are polarity sensitive  
 and must be connected correctly



Title		Current Guard Connections	
Author		DactylTech.co.za	
File		cm-currentguard.dsn	
Revision	Date	Document	
1.0		Sheets	
		1 of 1	